

## 3.20 ELECTRICITY (448)

### 3.20.1 Electricity Paper 1 (448/1)

#### SECTION A (48 marks)

Answer *all* the questions in this section.

- 1 (a) List the **three** classes of materials according to their electrical conductivity and for each class give **one** example. (3 marks)
- (b) State the meaning of the term career. (1 mark)
- 2 (a) List **four** characteristics of an entrepreneur. (2 marks)
- (b) For each of the following activities, state **one** safety precaution to be taken when: (2 marks)
- (i) removing a  $470\ \mu\text{F}/240\text{V}$  capacitor from a television set circuit during repair;
- (ii) handling rotating parts of electrical machines.
- 3 With the aid of graphical symbols, describe the difference between a potentiometer and a Rheostat. (5 marks)
- 4 The average daily power consumption of a domestic consumer is as follows:
- Lighting 0.5kw for 6 hours
  - Water heating 3.0kw for 2 hours
  - Cooking 5.0kw for 2 hours
  - Other appliances 3.5kw for 3 hours
- (a) Determine the daily consumption in kWh. (3 marks)
- (b) If the monthly standing charge is Ksh.100.00, calculate the bill for a month of 30 days. (3 marks)
- 5 (a) State **four** factors that determine the strength of an electromagnet. (2 marks)
- (b) **Figure 1**, shows the direction of force on a current carrying conductor in a magnetic field. Sketch the magnetic flux lines to create the force. (2 marks)

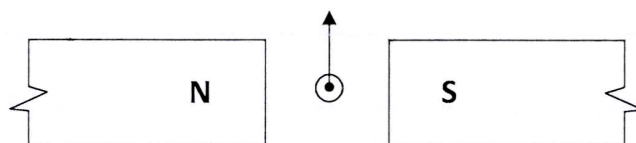


Figure 1

6

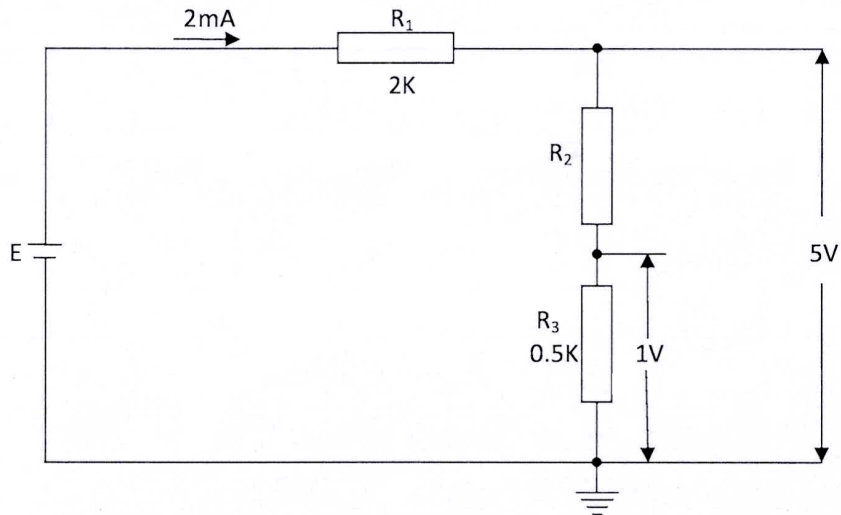


Figure 2

From the circuit shown in **figure 2** calculate the values of: (3 marks)

- (a)  $E$
- (b)  $R_2$

7 (a) Name **four** accessories used in domestic lighting installation. (2 marks)

(b) State **one** difference between MIMS and PVC sheathed cables. (2 marks)

8 (a) Name **two** types of D.C generators. (1 mark)

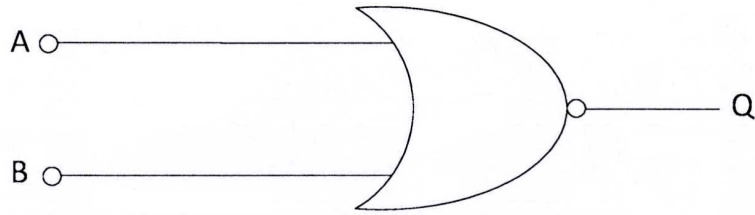
(b) With the aid of a diagram, describe the operation of a simple A.C. generator. (5 marks)

9 (a) Perform each of the following number conversions. (2 marks)

(i)  $101101_2$  to decimal

(ii)  $46_{10}$  to binary

(b) **Figure 3**, shows a symbol of a logic gate.

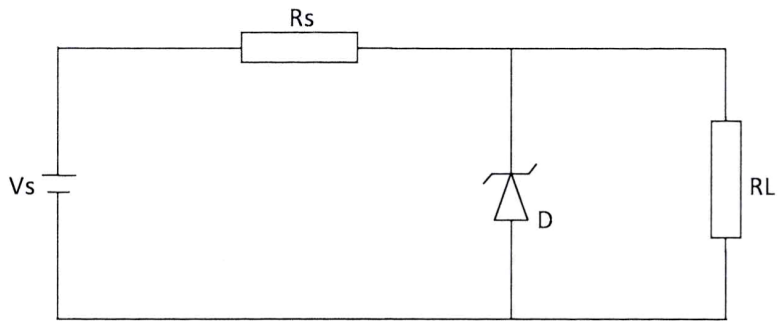


**Figure 3**

(i) Name the gate. (1 mark)

(ii) Draw and complete the truth table for output Q of the logic gate. (2 marks)

(c) **Figure 4**, shows a basic regulator circuit.



**Figure 4**

State the effect on voltage across  $R_L$  when: (2 marks)

(i) Zener diode is shorted.

(ii) Zener diode open.

10 Figure 5, shows orthographic views of a block, drawn in first angle projection.

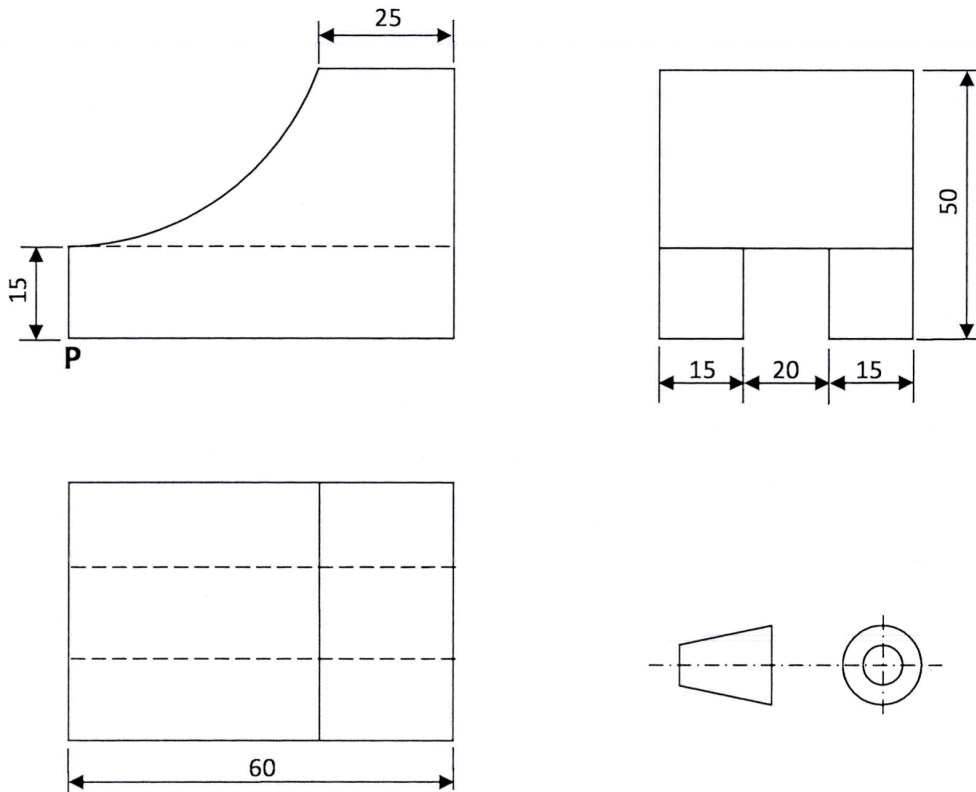


Figure 5

On the isometric grid paper provided, draw the block in isometric projection with P as the lowest point.

(5 marks)

### SECTION B (52 marks)

Answer any **four** questions from this section, in the spaces provided.

11 (a) With reference to Sinusoidal waveforms, explain each of the following terms: (3 marks)

- (i) Amplitude;
- (ii) Period;
- (iii) Frequency.

(b) A Sinusoidal voltage trace displayed on an oscilloscope has peak to peak voltage of 24 V and a period of 40 ms. Draw the waveform and calculate: (10 marks)

- (i) Frequency;
- (ii) Average value;
- (iii) RMS value.

- 12** (a) With the aid of a labelled diagram, explain the operation of a split-phase AC motor. (8 marks)
- (b) An ideal transformer is used to step down 480 V to 240 V. The 240 V output is connected to a 24 KW resistive load. Determine the: (5 marks)
- (i) load current;
  - (ii) input current;
  - (iii) transformer ratio.
- 13** (a) Draw a wiring diagram of a final circuit of one lamp controlled from **three** different points. (4 marks)
- (b) With the aid of a labelled diagram, explain the operation of a switch start fluorescent lamp. (9 marks)
- 14** (a) Describe each of the following processes of making a permanent magnet: (4 marks)
- (i) heating;
  - (ii) stroking.
- (b) With the aid of a labelled diagram, explain how a relay operates a high current load. (9 marks)
- 15** (a) Draw and label a schematic symbol for each of the following **two** input logic gates. (3 marks)
- (i) OR
  - (ii) NAND
- (b) Construct a truth table for a **two** input NAND gate. (4 marks)
- (c) An electric kettle suddenly stops heating water yet there is power in the socket outlet. Outline the procedure for identifying the possible faults using an ohmmeter. (6 marks)

### 3.20.2 Electricity Paper 2 (448/2)

#### 1 EXERCISE 1

Use the circuit, equipment and component provided to perform the following tasks.

- (a) Connect the resistors labelled A across point X and Y of the circuit.
- (b) Set the stopwatch to zero.
- (c) Press switch S until voltage reading settles at about 10V.
- (d) Release push button switch S and time the duration it takes for the voltage to drop to about 3-7 V and record the time in **Table 1**.

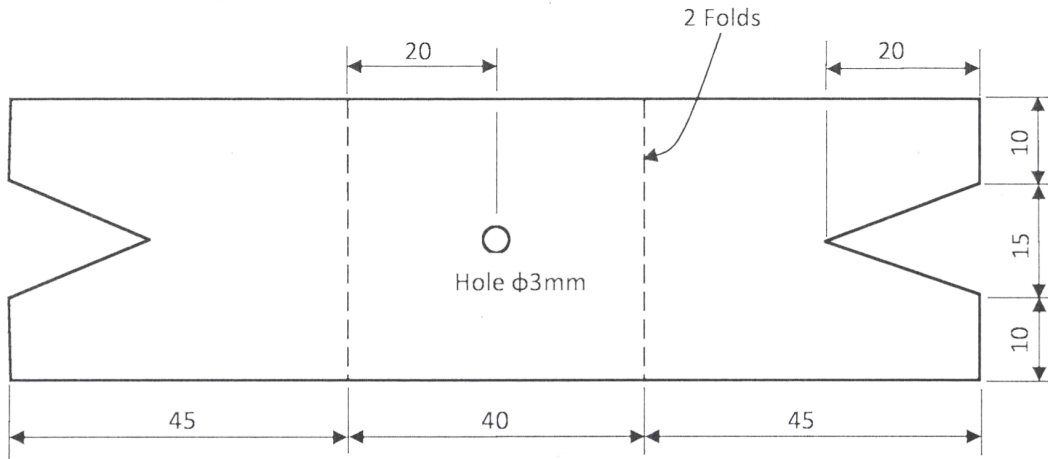
**Table 1**

<b>Resistor</b>	<b>A</b>	<b>B</b>	<b>C</b>	<b>D</b>	<b>E</b>
<b>Time (s)</b>					

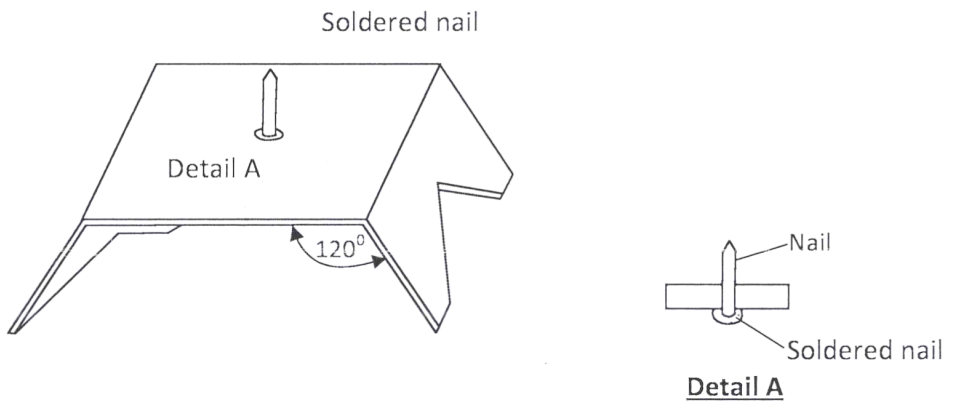
- (e) Repeat tasks (a) to (d) for each of the resistors B, C, D and E. (12 marks)
- (f) Use schematic symbols to draw the circuit and label the components. (6 marks)
- (g) From the results obtained, calculate the value of resistor labelled E. (2 marks)

**2 EXERCISE 2**

Using the materials, tools and equipment provided, fabricate the candle stand shown in **figure 1**. Its dimensions are given in the layout. (20 marks)



**LAYOUT**

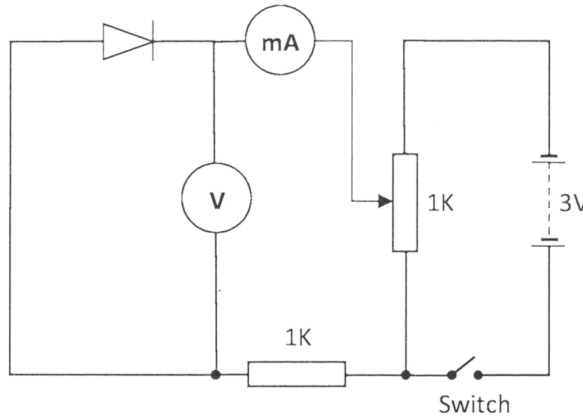


**Figure 1**

**3 EXERCISE 3**

Using the components, materials and equipment provided, perform the following tasks.

- (a) Connect the circuit shown in **figure 2** and let the examiner check your work. (6 marks)



**Figure 2**

- (b) Close the switch. Adjust the potentiometer to obtain voltage reading shown in **Table 2**. For each voltage obtained, measure and record the corresponding current values. (5 marks)

**Table 2**

<b>Voltage (V)</b>	0	0.5	0.7	0.9	1.3	1.7
<b>Current (mA)</b>						

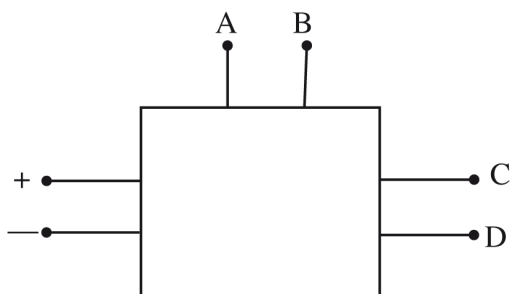
- (c) Plot a graph of current against voltage. (6 marks)
- (d) From the graph:
- (i) determine the resistance when the voltage is 1.3 V;
  - (ii) give a reason for the shape of the graph.

(3 marks)



#### 4 EXERCISE 4

Using the pre-fabricated circuit provided in figure 3, perform the following tasks:-



**Figure 3**

(a) With the switch open:

- (i) connect the milliammeter between **A** and **B**.  
(observe the polarity).
- (ii) connect the voltmeter between **C** and **D**.  
(observe the polarity).

(2 marks)

**(Let the examiner check your work)**

(b) Close the switch

Adjust the variable resistor to obtain the current values in Table 3 and in each case measure and record the corresponding voltage values.

(10 marks)

**Table 3**

<b>Current (mA)</b>	2	4	6	8	10
<b>Voltage (V)</b>					

(c) (i) Plot the graph of current against voltage.

(ii) Use the graph to determine the value of current when the voltage is 5.5 V.

(8 marks)

5 EXERCISE 5

Figure 4 shows a lighting circuit. Using materials, tools and equipment provided, instal the circuit such that the switch controls the lamp. (20 marks)

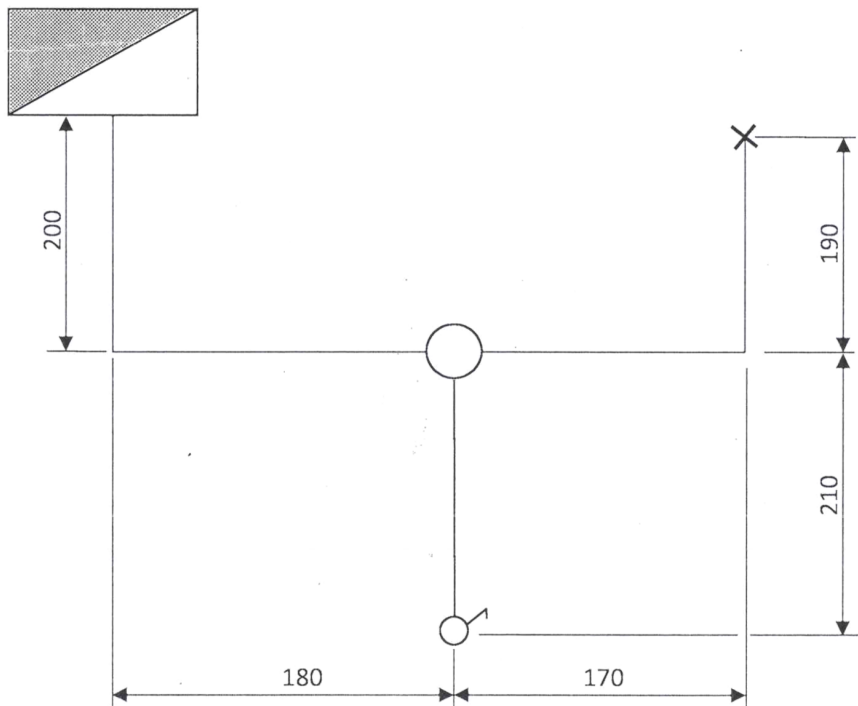


Fig. 4