

## 10.11 SOCIAL STUDIES AND RELIGIOUS EDUCATION

THE KENYA NATIONAL EXAMINATIONS COUNCIL  
Kenya Certificate of Primary Education



# 506 – SOCIAL STUDIES AND – RELIGIOUS EDUCATION

Nov. 2017 – 2 hours 15 minutes

### INSTRUCTIONS TO CANDIDATES (Please read these instructions carefully)

1. You have been given this question booklet and a separate answer sheet. The question booklet contains 90 questions.
2. Do any necessary rough work in this booklet.
3. When you have chosen your answer, mark it on the ANSWER SHEET, not in this question booklet.

### HOW TO USE THE ANSWER SHEET

4. Use an ordinary pencil.
5. Confirm that the answer sheet that you have been provided with has the following:  
**YOUR INDEX NUMBER**  
**YOUR NAME**  
**NAME OF YOUR SCHOOL**
6. Do not make any marks outside the boxes.
7. Keep the sheet as clean as possible and do not fold it.
8. For each of the questions 1–90, four answers are given. The answers are lettered A, B, C and D. In each case, only **ONE** of the four answers is correct. Choose the correct answer.
9. On the answer sheet, the correct answer is to be shown by drawing a **dark line** inside the box in which the letter you have chosen is written.

#### Example:

#### In the Question Booklet.

33. Among the Agikuyu, people who were initiated together formed
- A. a sub-tribe
  - B. a clan
  - C. a generation
  - D. an age-group

The correct answer is “D”

#### On the answer sheet:

31 [A] [B] [C] [D] 32 [A] [B] [C] [D] 33 [A] [B] [C] [D] 34 [A] [B] [C] [D] 35 [A] [B] [C] [D]

In the set of boxes numbered 33, the box with the letter D printed in it is marked.

10. Your **dark line** **MUST** be within the box.
11. For each question **ONLY ONE** box is to be marked in each set of four boxes.

This Question Paper consists of 16 printed pages.

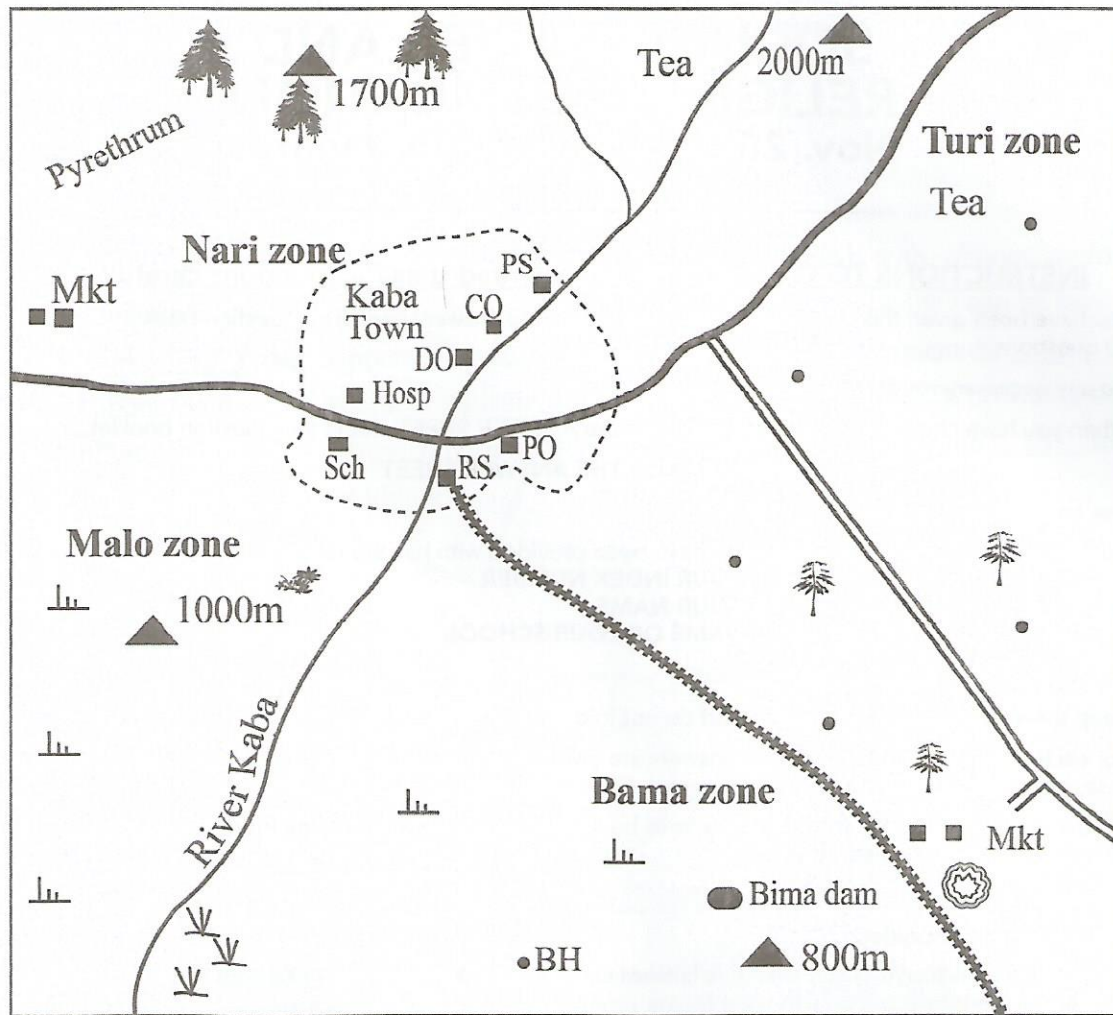


© 2017 The Kenya National Examinations Council

506

PART I: SOCIAL STUDIES

KABA AREA



Scale 0 1 2 3 4 5 6 7 8 9 10 KM

KEY			
	Tarmac road		Swamp
	Murrum road		Scattered trees
	Railway line		Quarry
	River and bridge	CO	County offices
	Town boundary	DO	District offices
	Permanent buildings	Hosp	Hospital
	Houses	PO	Post office
	Hill	Sch	School
	Forest	Mkt	Market
	Scrub	RS	Railway station
		BH	Bore hole
		PS	Police station



Study the map of Kaba Area provided and answer questions 1–7.

1. The general direction of flow of River Kaba is
  - A. South West to North East
  - B. North West to South East
  - C. North East to South West
  - D. South East to North West.
2. The following activities are carried out in Kaba area **except**
  - A. Farming
  - B. Mining
  - C. Trading
  - D. Fishing.
3. The **main** natural vegetation in the southern part of Kaba area is
  - A. forest
  - B. scrub
  - C. scattered trees
  - D. papyrus swamp.
4. The highest point in Kaba area is
  - A. Turi zone
  - B. Malo zone
  - C. Bama zone
  - D. Nari zone.
5. The **main** source of water for Kaba town is a
  - A. River
  - B. Swamp
  - C. Borehole
  - D. Dam.
6. A trader in Kaba market can obtain a trading licence from the
  - A. Post Office
  - B. District Office
  - C. Police Station
  - D. County Offices.
7. The approximate length of the railway line shown on the map is
  - A. 9km
  - B. 10km
  - C. 11 km
  - D. 12 km.

8. Below are facts about a traditional form of government in Africa.
  - (i) It was ruled by chiefs.
  - (ii) The people lived in villages.
  - (iii) Villages formed chiefdom.
  - (iv) Leadership was hereditary.

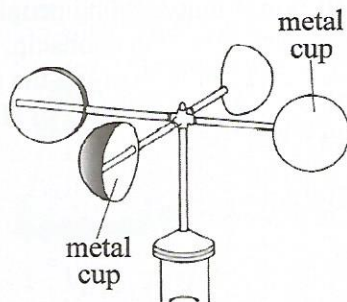
The form of government described above was that of the

- A. Nyamwezi
  - B. Ameru
  - C. Baganda
  - D. San.
9. Which one of the following is a responsibility of children in a family?
    - A. Building shelter.
    - B. Ensuring family protection.
    - C. Respecting adults.
    - D. Sharing out family resources.
  10. Lake Victoria was formed as a result of
    - A. folding
    - B. vulcanicity
    - C. down warping
    - D. human action.
  11. Three of the following are Cushitic speaking groups. Which one is **not**?
    - A. The Galla.
    - B. The Samburu.
    - C. The Burji.
    - D. The Oromo.
  12. Three of the following statements are true about the importance of the institution of marriage. Which one is **not**?
    - A. It brings unity among people.
    - B. It provides companionship.
    - C. It ensures continuity of the society.
    - D. It prevents contracting of HIV and AIDS.

13. Below are statements describing some activities of the early human beings. They
- (i) made simple stone tools.
  - (ii) used gestures to communicate.
  - (iii) ate raw food.
  - (iv) lived in small groups.

Which one of the following early human beings are associated with the above activities?

- A. Homo sapiens.
  - B. Homo habilis.
  - C. Homo erectus.
  - D. Homo sapien sapiens.
14. William Mackinon, one of the early visitors to Eastern Africa, came as
- A. a trader
  - B. an explorer
  - C. a missionary
  - D. a coloniser.
15. In subsistence farming, crops are **mainly** grown for
- A. sale
  - B. food
  - C. export
  - D. raw materials.
16. In traditional African society, one of the functions of the clan was to
- A. settle disputes
  - B. predict the future
  - C. defend the community
  - D. train warriors.
17. The diagram below shows a weather measuring instrument



- The instrument above is used to measure
- A. wind strength
  - B. wind direction
  - C. wind speed
  - D. wind pressure

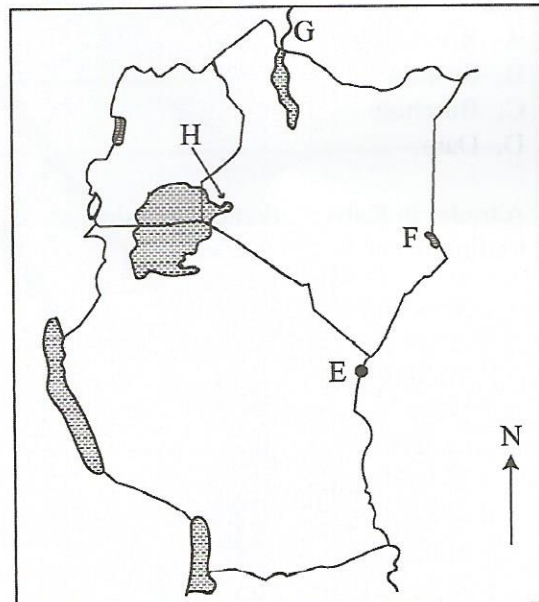
18. Flowers are transported to the foreign markets by air, because air transport is
- A. light
  - B. cheap
  - C. flexible
  - D. fast.

19. Which one of the following statements **best** describes the importance of peace? It promotes
- A. patriotism
  - B. foreign investment
  - C. good governance
  - D. national unity.

20. The rightful person to inherit family property is
- A. male relatives
  - B. parents
  - C. clan elders
  - D. children.

21. Which one of the following is the **main** reason for european scramble for Africa?
- A. To spread Christianity.
  - B. Search for raw materials.
  - C. To gain national prestige.
  - D. For geographical knowledge.

Use the map of East Africa provided below to answer questions 22 to 25





22. The Port marked **E** is  
 A. Tanga  
 B. Lindi  
 C. Dar-es-Salaam  
 D. Mombasa.
23. The National Game Reserve marked **F** is  
 A. Malka Mari National Reserve  
 B. Shimba Hills National Reserve  
 C. Arawale National Reserve  
 D. Boni National Reserve.
24. The river marked **G** is river  
 A. Kerio  
 B. Omo  
 C. Turkwell  
 D. Perkerra.
25. The Nilotic group of people that migrated into Kenya using the route marked **H** was the  
 A. Luo  
 B. Maasai  
 C. Pokot  
 D. Turkana.
26. Which one of the following is the **main** economic activity in the semi arid areas of Kenya?  
 A. Crop farming.  
 B. Fishing.  
 C. Trading.  
 D. Pastoralism.
27. Below are characteristics of a type of vegetation in Africa.  
 (i) Tall grass.  
 (ii) Scattered trees.  
 (iii) Deep roots.  
 (iv) Tiny leaves.
- The type of vegetation described above is the  
 A. savanna  
 B. mountain  
 C. equatorial  
 D. mediterranean.
28. Which one of the following was the **main** reason for the formation of Inter Governmental Authority on Development (IGAD)?  
 A. To prevent war among member states.  
 B. To promote trade.  
 C. To promote the environment.  
 D. To improve communication systems.
29. **Three** of the following are conditions under which citizenship can be revoked in Kenya. Which one is **not**?  
 A. Disloyalty to the country.  
 B. Committing of treason.  
 C. Using fraud to obtain citizenship.  
 D. Becoming a citizen of another country.
30. Which one of the following is a cause of conflict in a society?  
 A. Partnership in elections.  
 B. Scarcity of resources.  
 C. Difference in opinion.  
 D. Cultural differences.
31. The **main** factor influencing population distribution in Africa is  
 A. climate  
 B. drainage  
 C. relief  
 D. soil.
32. Which one of the following methods is used to mine copper in Zambia?  
 A. Shaft.  
 B. Dredging.  
 C. Placer.  
 D. Hill boring.
33. One of the ways in which African communities interacted in the past was through  
 A. marriage      B. education  
 C. birthdays      D. employment.

34. Which one of the following is a form of indirect democracy. The people
- have powers to make decisions
  - choose leaders to make decisions
  - vote for certain laws
  - are involved in making policies.
35. The following are statements about a leader in Africa.
- He is a champion of Pan Africanism.
  - He led his country to independence in 1957.
  - He was among the O.A.U. founders.
  - He was overthrown by the army.

The leader described above is

- Abdel Nasser
  - Haile Sellasie
  - Leopold Seghor
  - Kwame Nkurumah.
36. The diagram below shows a road sign.



The road sign represented by the diagram above is

- Cattle market above
  - Veterinary centre ahead
  - Cattle crossing ahead
  - Slaughter house ahead.
37. Which one of the following is the **most** likely cause of lawlessness in a society?
- Poor leadership.
  - Drug abuse.
  - Tribalism.
  - Illiteracy.

38. Which one of the following crops was grown **mainly** by the white settlers?
- Sugarcane.
  - Coffee.
  - Fruits.
  - Cotton.
39. Which one of the following statements is **true** about Nakuru town? It is
- an inland container depot
  - an agricultural centre
  - a mining centre
  - a headquarters for international organisation.
40. Which one of the following factors is **likely** to cause climate change in a given area?
- Setting up industries.
  - Nearness to a water body.
  - Distance from the equator.
  - Height above sea level
41. Which one of the following groups of prehistoric sites are found in Kenya?

A. Omo Valley Hargesia Harder	B. Ismilia Ngoloba Olduvai Gorge
C. Koobi Fora Gambles cave Kariandusi	D. Sango Magesi Nzongezi

42. Which one of the following countries in Africa is not a member of Economic Community of West Africa States (ECOWAS)?
- Ghana.
  - Gambia.
  - Nigeria.
  - Cameroon.



43. Below are problems facing livestock farming in Eastern Africa.
- Pest and diseases.
  - Overstocking.
  - High cost of feeds.
  - Inadequate market.
  - Shortage of water.

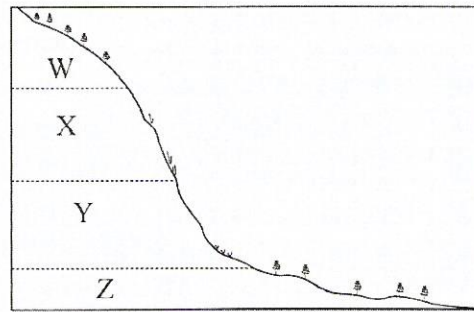
Which one of the following combinations of problems listed above are faced in livestock farming in both Kenya and Tanzania?

- (i), (ii), (iii).
  - (ii), (iii), (iv).
  - (i), (ii), (v).
  - (iii), (iv), (v).
44. Below are some uses of a mineral. It is used
- to run engines
  - for cooking
  - for making plastics

The mineral described above is

- copper
  - soda ash
  - petroleum
  - gold.
45. Anita bought an exercise book. Later she found that two books had been packed. She returned the extra book to the shopkeeper. Anita showed
- respect
  - obedience
  - honesty
  - justice.

46. The diagram below shows sections of a slope marked W, X, Y and Z.



In which part of the slope would soil erosion be **least** destructive?

- W
  - Z
  - X
  - Y
47. Which one of the following is the **most** effective way of conserving forest in Kenya?
- Employing more forest guards.
  - Controlling cutting of trees.
  - Recycling of paper.
  - Using alternative sources of energy.
48. The population structure of India is similar to that of Africa in that
- there is a large population of youth
  - they have a high infant mortality rate
  - majority of the people live in urban areas
  - they have low dependency ratio.
49. Which one of the following is **true** about tourism in Kenya?
- It is the leading foreign exchange earner.
  - Most of the tourists come from Asia.
  - The main tourist attraction is winter sports.
  - It enhances development of moral values.
50. Which one of the following statements **best** explains why the Volta river project was established?
- To create an inland waterway.
  - To settle landless people.
  - To establish a fishing area.
  - To regulate the river flow.

51. The following are roles played by the legislative council in the struggle for independence in Kenya except
- demanding for more African representatives in the government
  - fighting for the release of political prisoners
  - registering political associations
  - writing the constitution.

52. Which one of the following statements describes negotiation as a way of resolving conflicts in a society?
- Discussing the matter with one another.
  - Asking for forgiveness.
  - Involving a third party.
  - Taking the matter to court.

53. Below are statements of an organisation in Africa.
- It was formed in 1967.
  - It provided common services to member countries.
  - It collapsed in 1977.

The organisation described above is

- The Organisation of African Union (OAU)
- The East African Community (EAC)
- The Preferential Trade Area (PTA)
- The Common Market for Eastern and Central Africa (COMESA).

54. One of the roles of opposition parties in a democracy is to
- conduct elections
  - critique the government
  - offer parallel government
  - create voters register.

55. Which one of the following industries in Kenya is correctly matched with its product?

Type of industry	Product
A. Manufacturing	Bicycles.
B. Service	Textile.
C. Processing	Sugar.
D. Assembly	Publishing.

56. Which one of the following explains why citizens participate in voting?
- To elect representatives to government.
  - To obey the government.
  - To help their friends get posts.
  - To get paid by the candidates.

57. Meda has poor eyesight. He is not allowed to play with his age mates by his parents. Which one of the following freedom is Meda denied?
- Expression.
  - Movement.
  - Association.
  - Worship.

58. Who among the following African leaders was a founder member of Kenya African National Union (KANU)?
- Daniel Moi.
  - James Gichuru.
  - Paul Ngei.
  - Ronald Ngala.

59. In Kenya, the National Police Service is headed by the
- Commander
  - Commissioner of Police
  - President
  - Inspector-General.

60. In Kenya, the speaker of the senate is
- elected by the workers of the senate
  - appointed by the Public Service Commission
  - elected by the members of the senate
  - appointed by the President.



**PART II: RELIGIOUS EDUCATION**  
**SECTION A**  
**CHRISTIAN RELIGIOUS EDUCATION**

61. God put Adam and Eve in the garden of Eden in order to
- A. protect them from the snake
  - B. build altars for Him
  - C. protect and eat from the tree of life
  - D. cultivate and guard it.
62. During the time of Noah God punished people for their wickedness by use of
- A. a flood
  - B. an earthquake
  - C. thunder
  - D. famine.
63. Joseph restored good relationship with his brothers while in Egypt **mainly** by
- A. giving them food
  - B. setting them free from prison
  - C. forgiving them
  - D. organising a party for them.
64. God called Moses while he was taking care of Jethro's flock in the wilderness in order to send him to
- A. meet the elders of the Israelites
  - B. perform miracles in Egypt
  - C. give him the commandments
  - D. deliver the Israelites from Egypt.
65. Which one of the following acts of worship was performed by the Israelites immediately after they crossed the Red Sea?
- A. Reciting the commandments.
  - B. Singing songs to God.
  - C. Offering sacrifices.
  - D. Burning incense.
66. Saul was rejected by God as the King of Israel because he
- A. disobeyed the Lord's command
  - B. carried the covenant box on a cart
  - C. built places of worship for idols
  - D. killed the king of the Amalekites.
67. Which one of the following activities was an achievement of David as a king of Israel?
- A. Writing the first books of the Bible.
  - B. Building a temple for God in Jerusalem.
  - C. Bringing the covenant box to Jerusalem.
  - D. Destroying the altars of Baal.
68. Who among the following people was the mother of Prophet Samuel?
- A. Sarah.
  - B. Hannah.
  - C. Leah.
  - D. Rachel.
69. Who among the following prophets foretold about the making of the new covenant?
- A. Amos.
  - B. Isaiah.
  - C. Jeremiah.
  - D. Hosea.
70. "Go and make a careful search for the child and when you find him, let me know so that I too may go and worship him." (Matthew 2: 8). These words were spoken by King Herod to
- A. teachers of the law
  - B. shepherds
  - C. priests
  - D. visitors from the east.
71. When baby Jesus was presented in the temple for dedication Simeon described Him as the
- A. saviour of the world
  - B. King of the Jews
  - C. judge of Israel
  - D. lamb of God.



72. "Do not put the Lord your God to the test." (Luke 4:12). These words were spoken by Jesus during
- baptism in the River Jordan
  - trial before Pilate
  - temptation in the wilderness
  - crucifixion on the cross.
73. Which one of the following statements is a teaching of Jesus during the sermon on the mount?
- "Go then to all people everywhere and make them my disciples."
  - "Give us day by day the food we need."
  - "The son of man came to seek and to serve the lost."
  - "Happy are those who mourn, God will comfort them."
74. The parable of Jesus which teaches Christians to pray always is the parable of the
- sower
  - friend at midnight
  - good samaritan
  - prodigal son.
75. A lesson Christians learn from the miracle of the feeding of the five thousand is that they should be
- honest
  - hardworking
  - generous
  - trustworthy.
76. During the last supper Jesus washed the feet of His disciples because He wanted to
- teach them to serve others
  - fulfil the Jewish custom
  - make them clean
  - prepare them for a meal.
77. "Do you love me? ... take care of my sheep." (John 21:17) These words were spoken by Jesus after His resurrection to
- John
  - James
  - Thomas
  - Peter.
78. Which one of the following events took place on the day of Pentecost?  
The believers were
- appointed as deacons to serve widows
  - given Mathias as a leader to replace Judas
  - filled with the Holy Spirit
  - shared the passover meal.
79. Annanias and Sapphira died because they
- sold a parcel of ancestral land
  - lied to the Holy Spirit
  - failed to join the believers for fellowship
  - went to the temple at the wrong time.
80. Saul was converted to become a Christian on his way to Damascus in order to
- preach good news to Gentiles
  - serve as a deacon
  - unite believers in Damascus
  - join the Jewish religious council.
81. Which one of the following set of boxes contains the gifts of the Holy Spirit?
- |           |
|-----------|
| Goodness  |
| Preaching |
| Kindness  |
  - |          |
|----------|
| Peace    |
| Patience |
| wisdom   |
  - |              |
|--------------|
| Humility     |
| Self-control |
| Gentleness   |
  - |           |
|-----------|
| Faith     |
| Knowledge |
| Healing   |
82. A belief about God that is common to both Christianity and traditional African religion is that God:
- lives in caves
  - is the creator
  - requires animal sacrifice
  - exists as a trinity.



83. Which one of the following is a rite of passage in traditional African communities?
- Marriage
  - Baptism
  - Pregnancy
  - Ordination.
84. Elders are respected in traditional African communities **mainly** because of their
- courage
  - patience
  - wisdom
  - loyalty.
85. Christians in Kenya are encouraged to overcome ethnic differences **mainly** to
- share ideas among the communities
  - be role model for other countries
  - promote intermarriages among them
  - promote peaceful coexistence.
86. Your desk mate Irene has not been performing well in her studies and her parents are no longer willing to buy revision materials for her. As a Christian what is the **best** action for you to take?
- Ask Irene to put more effort in her studies.
  - Tell Irene to look for a job.
  - Tell Irene to come and live with you.
  - Report Irene's parents to the class teacher.
87. You notice that Ezekiel who is a Standard Four pupil misses school every Friday to take care of their cattle. As a Christian, what is the best advice for you to give him? Tell him to
- come and stay with you
  - report the matter to the authorities
  - tell his father to employ a worker
  - run away from home.
88. Which one of the following activities would be the **best** use of leisure by a Christian youth?
- Playing games.
  - Listening to Christian music.
  - Helping in community work.
  - Watching Christian film.
89. On your way from school, you find your friend Stella fighting with another girl. As a Christian what is the **best** action for you to take?
- Help your friend.
  - Stop the girls from fighting.
  - Report Stella to her parents.
  - Ignore them and walk away.
90. You learn that Daniel who is a Standard Six pupil sneaks from school and goes to take alcohol. As a Christian, what is the **best** advice for you to give him? Tell him to
- stop the habit of taking alcohol
  - drop out of school
  - show you where he gets the alcohol
  - be taking the alcohol after school.

## SECTION B ISLAMIC RELIGIOUS EDUCATION

61. Which one of the following *Surahs* condemns those who do good deeds for the purpose of showing off?
- Al-Quraish*.
  - Al-Maun*.
  - An-Nnas*.
  - Al-Kafirun*.
62. *Surah Al Ikhlas* teaches Muslims on
- tawheed*
  - qiyama*
  - tawakul*
  - ihsan*.
63. Muslims are urged to seek refuge in Allah from the evil that He has created in *Surah*.
- An-Nasr*
  - An-Nnas*
  - Al-Falaq*
  - Al-Fiil*.
64. Which **one** of the following is a teaching from *Surah At-Tiin*?
- The night of power is better than a thousand months.
  - Orphans should be treated with kindness.
  - Slanderers and backbiters will be thrown in to hell fire.
  - Man was created in the best stature.



65. Which **one** of the following *Surah* should a Muslim refer to on the treatment of beggars?  
 A. *Ad-Dhuha*.  
 B. *At-Tiin*.  
 C. *Al-Asr*.  
 D. *Al-Kauthar*.
66. Which among the following is the **correct** manner of eating according to the Hadith of the Prophet (P.b.u.h)  
 A. Eating while facing *Qibla*.  
 B. Eating food while it is still hot.  
 C. Eating what is in front of you.  
 D. Eating while leaning on a chair.
67. According to the Hadith of the Prophet (P.b.u.h), the **best** action to take after committing a bad deed is to  
 A. praise the name of Allah  
 B. seek refuge in Allah  
 C. follow it up with a prayer  
 D. follow it up with a good deed.
68. A *Sunnah* act in the performance of *wudhu* is  
 A. washing the head  
 B. cleaning the ears  
 C. wiping the head  
 D. washing the face.
69. Which among the following acts nullifies *wudhu*?  
 A. breaking wind  
 B. drinking water  
 C. crying  
 D. laughing.
70. The **best** reason why Muslims should observe *sunnah saum* is because it  
 A. protects Muslims from engaging in evil  
 B. brings Muslims closer to Allah  
 C. improves their health  
 D. cultivates self-control.
71. Which among the following acts is **not** a nullifier of *swalat*?  
 A. Not facing *Qibla* during *swalat*.  
 B. Breaking wind in *swalat*.  
 C. crying in *swalat*.  
 D. laughing in *swalat*.
72. Ali's father is seeking advice on what he should do before he travels for Hajj. Which of the following is the **correct** advice to Ali's father? He should  
 A. quit his job  
 B. travel with his wife  
 C. seek his children's consent  
 D. clear all his debts.
73. The phrase "*lahaula wala quwata ila billah*" is said when a Muslim is  
 A. extremely happy  
 B. in great shock  
 C. bereaved  
 D. worried.
74. The **most** effective way of controlling the spread of HIV/AIDS is through  
 A. use of condoms  
 B. early marriage  
 C. abstinence  
 D. circumcision.
75. Your classmate Ahmad has a habit of reporting late to school. As a Muslim, the **best** action for you to take is to  
 A. talk to him about the importance of punctuality  
 B. report Ahmad to his parents  
 C. inform the teachers about Ahmad's habit  
 D. keep quiet and not mention it to anyone.
76. Which among the following scriptures was revealed to Nabi Ibrahim?  
 A. Injil.  
 B. Suhuf.  
 C. Taurat.  
 D. Zabur.
77. The **best** way to show appreciation for the gift of wealth is by  
 A. thanking Allah  
 B. constructing a mosque  
 C. assisting the neighbours  
 D. assisting the poor.



78. Which one of the following is a miracle of Nabi Musa?  
 A. He survived a blazing fire.  
 B. He resurrected the dead.  
 C. He split the sea into two.  
 D. He gave sight to the blind.
79. The **correct** order of the events of the Day of Judgment is  
 A. assembling, resurrection, judgement, paradise/hell  
 B. resurrection, assembling, judgement, paradise/hell  
 C. resurrection, judgement, assembling, paradise/hell  
 D. assembling, judgement, resurrection, paradise/hell.
80. Fatma, a Standard Two pupil was playing with her friend Aisha and heard her swearing by the name of her mother. Fatma should advice Aisha to swear by  
 A. the name of Allah  
 B. the name of the Prophet (P.b.u.h)  
 C. the name of her father  
 D. the holy Quran.
81. A *dua* that is said when a Muslim encounters a disabled person is:  
 A. *rabbana atina fi dunya*  
 B. *rabbi ghfirli warhamni*  
 C. *alhamdulillah rabil alamin*  
 D. *alhamdulillah ladhi ibtalahu waafani.*
82. Who among the following people engages in a lawful source of earning?  
 A. Athman – selling adulterated milk.  
 B. Ali – selling foreign currency.  
 C. Fatma –lending money with interest  
 D. Mariam – selling expired goods.
83. The similarity between the battles of Badr and Khandaq is that  
 A. in both battles, Muslims were more than the Quraish  
 B. In both battles, Muslims were equal in number to the Quraish  
 C. Muslims won in both battles  
 D. Muslims were defeated in both battles.
84. A lesson that Muslims learn from the battle of Uhud is that  
 A. Muslims should cooperate with each other.  
 B. Muslims should obey the Prophet (P.b.u.h)  
 C. Allah punishes the wrong doers  
 D. Quraish were the best fighters.
85. The first mosque to be built by the Prophet (P.b.u.h) was  
 A. Masjid Quba  
 B. Masjid Nabawi  
 C. Masjid Haram  
 D. Masjid Aqsa
86. Below are events that took place during the lifetime of the Prophet (P.b.u.h)  
 (i) death of the Prophet's mother  
 (ii) journey to Syria with Abu Talib  
 (iii) marriage to Bibi Khadija  
 (iv) death of Abdul Muttalib
- The **correct** order of the above events is  
 A. (iv), (iii), (i), (ii)  
 B. (iv), (i), (iii), (ii)  
 C. (i), (ii), (iv) (iii)  
 D. (i), (iv), (ii), (iii).
87. Muslims consider Friday as an important day because it  
 A. is the last day of the week  
 B. is the day when Muhammad (P.b.u.h) was born  
 C. is the day when Adam was created  
 D. reminds Muslims of the Day of Judgment.
88. Which among the following acts is recommended during *Idd-ul-fitr*?  
 A. Performing Idd Prayer in the mosque.  
 B. Taking a bath before prayer.  
 C. not eating anything before the prayer.  
 D. wearing white clothes.



89. The reason why Qabeel killed his brother Habeel is because:
- A. he was jealous of his brother's success
  - B. his parents loved Habeel more than him
  - C. he wanted to be the leader after his father
  - D. Habeel married a girl he had wanted to marry.
90. Who among the following Prophets was ordered by Allah to migrate from his homeland to the desert?
- A. Nuh (A.S).
  - B. Adam (A.S).
  - C. Yusuf (A.S).
  - D. Ibrahim (A.S).

**SECTION C**  
**HINDU RELIGIOUS EDUCATION**

61. Lord Krishna was referred by his devotee Saint Tukaram as
- A. *Swami*
  - B. *Vithala*
  - C. *Gopal*
  - D. *Govind*.
62. Hindus worship the five elements because it is
- A. the worship of Parmatma as *Sagun Sakar*
  - B. a form of prayer
  - C. a requirement for all Hindus
  - D. difficult to see Parmatma.
63. Which one of the following combinations of jewels are prescribed by Lord Mahavir?

<p>A.</p> <table border="1" style="width: 100%; height: 50px;"> <tr><td>Faith</td></tr> <tr><td>Wealth</td></tr> <tr><td>Wisdom</td></tr> </table>	Faith	Wealth	Wisdom	<p>B.</p> <table border="1" style="width: 100%; height: 50px;"> <tr><td>Faith</td></tr> <tr><td>Attitude</td></tr> <tr><td>Knowledge</td></tr> </table>	Faith	Attitude	Knowledge
Faith							
Wealth							
Wisdom							
Faith							
Attitude							
Knowledge							
<p>C.</p> <table border="1" style="width: 100%; height: 50px;"> <tr><td>Knowledge</td></tr> <tr><td>Faith</td></tr> <tr><td>Conduct</td></tr> </table>	Knowledge	Faith	Conduct	<p>D.</p> <table border="1" style="width: 100%; height: 50px;"> <tr><td>Conduct</td></tr> <tr><td>Attitude</td></tr> <tr><td>Wealth</td></tr> </table>	Conduct	Attitude	Wealth
Knowledge							
Faith							
Conduct							
Conduct							
Attitude							
Wealth							

64. Guru *Teghbahadurji* saved Makhan Shah's ship from drowning. Makhan Shah promised to offer him
- A. a hundred coins
  - B. twenty coins
  - C. a thousand coins
  - D. five hundred coins.
65. "The root cause of suffering is the desire and attachment to worldly things." These words were said by
- A. Lord Buddha
  - B. Bhagwan Mahavir
  - C. Guru Nanak
  - D. guru Vashistha
66. Sitaji accompanied Lord Rama during his vanvas **mainly** because
- A. she was attached to nature
  - B. it was her duty to accompany her husband
  - C. she did not like Lord Rama's mother
  - D. there was no other choice left for her.
67. *Satyarth Prakash* teaches us that in *Vanprastha Ashram* a person should
- A. concentrate on his business
  - B. give more time to his children
  - C. play with grandchildren
  - D. devote more time to worship.
68. Which one of the following Autars is **correctly** matched with his consort?
- | Autars            | Consort.             |
|-------------------|----------------------|
| A. <i>Shiva</i>   | – <i>Laxmi</i> .     |
| B. <i>Vishnu</i>  | – <i>Rukmani</i> .   |
| C. <i>Brahma</i>  | – <i>Saraswati</i> . |
| D. <i>Krishna</i> | – <i>Parvati</i> .   |
69. Satyem a Standard Six pupil was asked to tell the best religion in the world. He responded that all religions are good. Which principle did he practice?
- A. *Dama*.
  - B. *Anekantwad*.
  - C. *Kshama*.
  - D. *Indriyanigraha*.



70. Which one of the following is the reason why Hindus are advised against getting angry?
- To enable one to be spiritually uplifted always.
  - To win everybody's favour.
  - Getting angry burns out all the energy.
  - To promote good relations with others.
71. The principle of *Aparigraha* leads us towards
- enjoying wealth
  - sharing wealth
  - accumulating wealth
  - showing off wealth.
72. Which one of the following principles of *Dharma* leads us to attain *Moksha*?
- Kshama*.
  - Saucham*.
  - Asteya*.
  - Dama*.
73. When preparing for KCPE examination, the candidates are required to follow the principle of
- Asteya*
  - Aparigraha*
  - Purushartha*
  - Prarthna*.
74. The two principles that propagate vegetarianism are
- ahimsa* and *aparigraha*
  - purushartha* and *pranidaya*
  - ahimsa* and *pranidaya*
  - asteya* and *purushartha*.
75. Which one of the following religious symbols has a crescent and three dots?
- Jain Swastika.
  - Om.
  - Khanda.
  - Swastika.
76. Which one of the following scriptures are read continuously?
- Kalpasutra* and *Tirukural*.
  - Bhagwad Gita* and *Satyarth prakash*.
  - Bhagwad Purana* and *Kalpasutra*.
  - Ramayana* and *Guru Granth*.
77. The correct order that is observed while conducting *char Dham yatra* is
- Rameshwaram, Badrinath, Dwarika, Kashi*
  - Kashi, Rameshwaram, Dwarika, Badrinath*
  - Badrinath, Dwarika, Kashi Rameshwarani*
  - Dwarika, Kashi, Rameshwaram, Darinath*.
78. Golden temple in *Amvitsar* has four doors in all four directions because
- it is the symbol of four directions of the universe
  - pilgrims of all the religious are welcome
  - to avoid congestion while entering and exiting
  - it improves the architecture of the temple.
79. Which one of the following Sikh Gurus was released from jail on *Diwali*? Guru
- Hargobind
  - Arjam
  - Ramdas
  - Teghbahadur.
80. The Utsav that is correctly matched with the Autar is
- | Utsav            | Autar           |
|------------------|-----------------|
| A. Janmashtami   | – Gautam Buddha |
| B. Buddh Jayanti | – Narsimha      |
| C. Holi          | – Shri Krishna  |
| D. Ramnaumi      | – Shri Rama     |
81. The correct order in which Prashad is offered to Paramatma during *Varsha Pratipad* is?
- Tamarind, sugar, mango leaves.
  - Sunflowers, tamarind, jaggery.
  - Tender neem flowers, Jaggery, tamarind.
  - Mango leaves, jaggery, tamarind.
82. *Surya Namaskar* is practised in the morning facing the sun mainly because it
- enables one to get energy
  - saves us from getting tired
  - makes one to get focused
  - is easier to do the practice that way.



83. Which one of the following is the main reason why Lord Vitthal accepted naivedya of milk from child Namdev? Because Namdev
- pleaded with vitthal
  - showed a lot of love
  - was stubborn with vitthal
  - offered sweet milk.
84. Paresh a Standard Six pupil had a discipline problem. His teacher advised him to practice yoga to be obedient Which one of the following Yoga should Paresh practice?
- Niyama.
  - Pranayam.
  - Vajrasan.
  - Sukhasan.
85. Which one of the following episodes from Mahabharat shows the action of Sadachar?
- Bheesham was cursed by Amba.
  - Arjun refused to fight.
  - Pandaras rescued Kauravas from Gadharavas.
  - Pandavas went to Lakshagriha.
86. According to Hindus a guest is supposed to be treated as
- Matru devo bhav
  - Pitru devo bhav
  - Acharya devo bhav
  - Atithi devo bhav.
87. Nina a Standard Five pupil has been missing school because of lack of food. Her classmate offered to be sharing the food with her. Which one of the following Sadachar is demonstrated by Nina's classmates?
- Compassion.
  - Gratitude.
  - Obedience.
  - Respect.
88. Eklavya obeyed Guru Dronacharya when he ordered him to cut his eight hand thumb, to him Guru Dronacharya was
- Pithu devo bhava
  - Acharya devo bhava
  - Matru devo bhava
  - Atithi devo bhava.
89. According to Hindu calender Adhik maas occurs after
- Fifteen months
  - Twelve months
  - Two years
  - Thirty two months.
90. The Himalayan range situated in the northern area of India is famous mainly because
- the mountain range is always covered with snow
  - it is a source of holy rivers
  - Rishi Munis spent many years in Tapas
  - It is the national frontier of India.