

THE ROYAL EXAM SERIES

Kenya Certificate of Secondary Education

312/1 — GEOGRAPHY — Paper 1



FORM 4

TERM 2



DECEMBER 2021- 2 ³/₄ HOURS

Name..... Index Number:.....

School.....

Candidate's Signature..... Date.....

Instructions to Candidates

- ✓ Answer all questions in section A.
- ✓ In section B, Answer question 6 and any other two questions from the remaining questions.
- ✓ Answer all questions using the answer booklet provided.
- ✓ Candidate should check that all pages are printed and no questions are missing.

For Examination use only.

	Maximum Score	Candidate Score
Section A.	25	
Question 6	25	
	25	
	25	
Total		

SECTION A
Answer all questions in this section

1. (a) What is geography? (2marks)

.....
.....

(b) Give three proofs that the earth is almost spherical in shape. (3marks)

.....
.....

2. (a) Differentiate between weathering and mass wasting. (2 marks)

.....
.....

(b) State three causes of landslides. (3 marks)

.....
.....

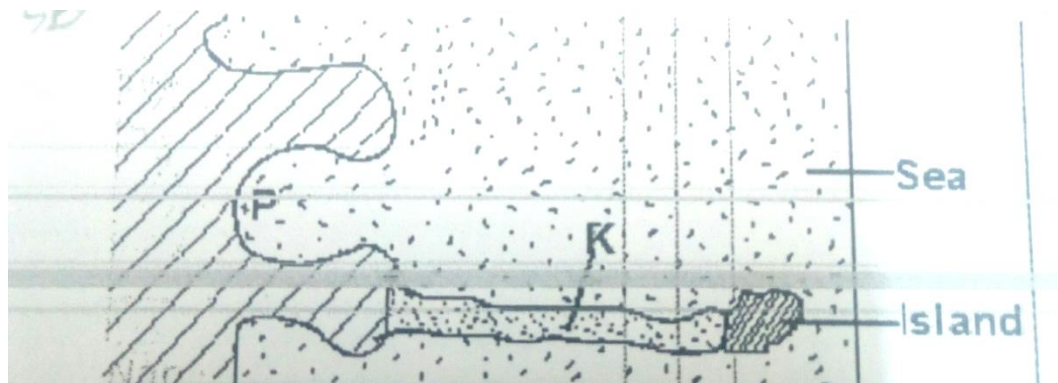
3. Describe the formation of planet earth according to the passing star theory. (5 marks)

.....
.....

.....
.....

.....
.....

4. The diagram below shows a coastal landform.



(a) Name the features marked P and K. (2marks)

P.....

K.....

(b) List down three types of ocean tides.

(3marks)

.....
.....
.....

5. (a) Name the types of earth movements that occur within the earth's crust. (2marks)

.....
.....

(b) Describe the origin of continents according to the theory of continental drift. (3marks)

.....
.....
.....
.....



SECTION B

Answer question 6 and any other two questions in this section

Study the map of Kijabe 1:50,000 (sheet 134/3) provided and answer the following questions.

(a) (i) What type of map is KIJABE map extract? (1 marks)

.....

(ii) Give the six-figure grid reference of the cattle dip near Kenton. (2 marks)

.....

(iii) Give the longitudinal extent of the area covered by the map. (2 marks)

.....

(b) (i) Calculate the area to the south of the power line. Give your answer in square kilometers. (2marks)

.....
.....

(ii) Describe settlement distribution in the area covered by the map. (6 marks)

.....
.....
.....
.....

.....
.....
.....
.....
.....
.....

(c) Explain *three* factors favoring cattle rearing in the area covered by the map. (6 marks)

.....
.....
.....
.....
.....
.....

(d) (i) Draw a square 10cm by 10 cm to represent the area enclosed by Eastings 30 and 40 and northings 90 and 00. (1 marks)

(ii) On it mark and label: (3 marks)

- A railway line.

- Bamboo forest.
- A borehole.

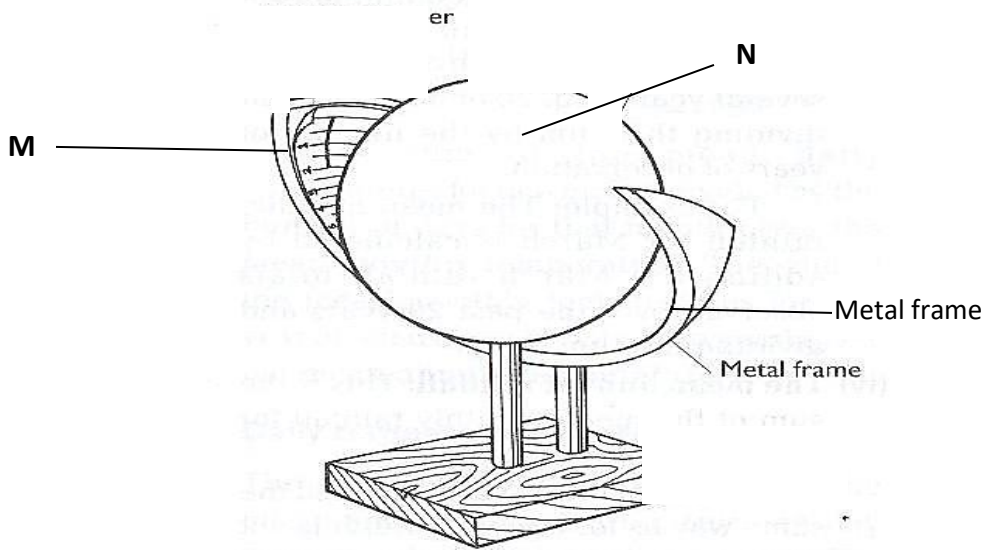
(iii) What is the new scale of the square.

(2marks)

(a) Name two instruments kept in a Stevenson screen.

(2 marks)

(b) The diagram below shows a weather measuring instrument. Use it to answer the questions below.



(i) Name the parts marked M and N.

(2 marks)

M.....

N.....

(ii) Describe how the instrument works.

(4 marks)

(c) The table below shows climatic figure for station Q. Use it to answer the questions that follow.

Months	J	F	M	A	M	J	J	A	S	O	N	D
Temp in ⁰ C	30	31	31	29	27	27	28	29	28	28	27	30
Rainfall in mm	257	246	231	234	207	201	218	227	234	240	235	230

(i) Calculate the annual range of temperature for station Q. (2 marks)

(ii) Give four characteristics of climate for station Q. (4 marks)

.....

.....

.....

.....

(d) With the aid of a well-labelled diagram, describe the formation of cyclonic rainfall. (6 marks)

(e) You intend to carry out a field study of a weather station in your school.

(i) Give two methods of recording data that you are likely to use. (2 marks)

.....

.....

(ii) State three reasons why the recording of data at a school weather station may be inaccurate. (3 marks)

.....

.....



7. (a) Name three types of faults: (3 marks)

.....
.....
.....

(b) (i) With the aid of well labeled diagrams explain how compressional forces can lead to the formation of a rift valley. (7 marks)



(ii) Give two examples of Horst Mountains in east Africa: (2 marks)

.....
.....

(c) Describe two ways in which faulting may influence drainage systems. (4 marks)

.....
.....
.....
.....

(d) A part from the Rift Valley name two other relief features that were formed as result of faulting. (3 marks)

.....
.....
.....
.....
(e) Explain three ways in which features resulting from faulting are of economic importance:

(6 marks)

8. (a)(i) What is a lake?

(2marks)

(ii) Name three ways through which lakes are formed.

(3marks)

(iii) List three sources of Lake Water.

(3marks)

(b) Describe how L. Victoria was formed.

(4marks)

(c) Explain two reasons why some Lakes in the Rift Valley have fresh water.

(4marks)

.....
.....
.....
.....
(d) State three economic significance of Lakes. (3marks)

.....
.....
.....
(e) Students from your school intends to carry out a field study on Lakes.

(i) State two objective for their study. (2marks)

.....
.....
(ii) Identify two methods they will use to record the data collected. (2marks)

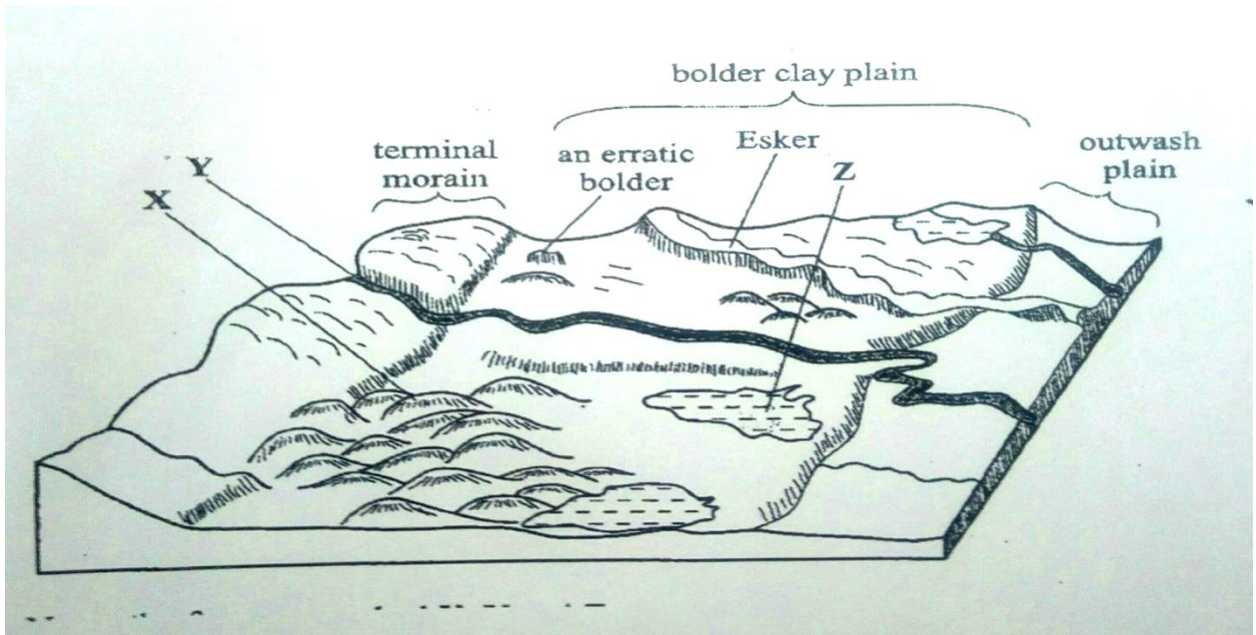
.....
.....
(iii) Which human activity might they have found to be affecting the Lakes? (2marks)

.....
.....
.....
.....
9. (a) Describe plucking as a process in glacial erosion. (4 marks)

.....
.....
.....
.....
(b) Explain three conditions that lead to glacial deposition. (6 marks)

.....
.....
.....
.....
.....
.....
.....
.....
.....
.....

(c) The diagram below shows features resulting from glacial deposition in a lowland area.



(i) Name the features marked X, Y, and Z. (3 marks)

X.....
 Y.....
 Z.....

(ii) Describe how terminal moraine is formed. (4 Marks)

.....

(d) Explain four positive effects of glaciation in low land area. (8 marks)

.....

