

312/1

GEOGRAPHY

Paper 1

Time 2 hours 45 min



2021 TRIAL 3 OCT/NOVEMBER INTERNAL EXAMINATION

Kenya Certificate of Secondary Education (K.C.S.E.)

Name.....

Adm No.....

Stream.....

Date

Sign

Instructions to Candidates

- ✓ Answer all questions in section A.
- ✓ In section B, Answer question 6 and any other two questions from the remaining questions.
- ✓ Answer all questions using the answer booklet provided.
- ✓ Candidate should check that all pages are printed and no questions are missing.

For Examination use only.



	Maximum Score	Candidate Score
Section A.	25	
Question 6	25	
Question 7	25	
Question 8	25	
Question 9	25	
Question 10	25	
TOTAL	100%	

SECTION A

Answer all questions in this section

1. (a) What is geography? (2marks)

.....
.....
.....

(b) Give three proofs that the earth is almost spherical in shape. (3marks)

.....
.....
.....
.....
.....
.....
.....
.....
.....

2. (a) Differentiate between weathering and mass wasting. (2 marks)

.....

.....
.....
.....
.....
.....

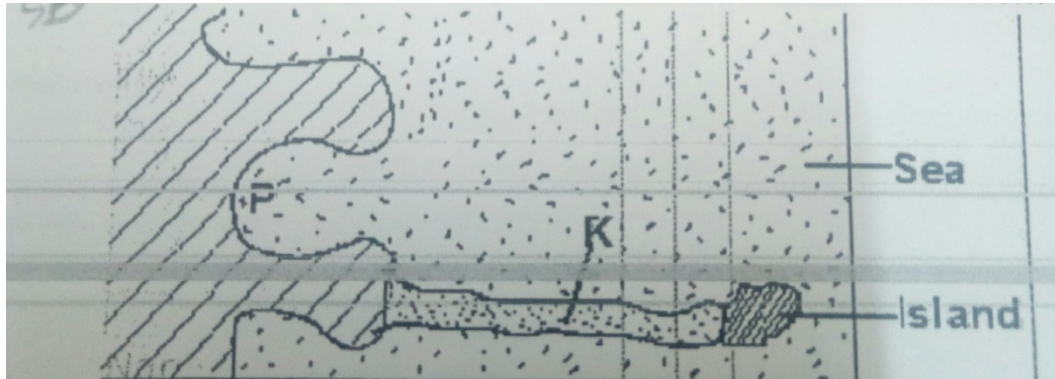
(b) State three causes of landslides. (3 marks)

.....
.....
.....
.....

3. Describe the formation of planet earth according to the passing star theory. (5 marks)

.....
.....
.....
.....
.....
.....
.....
.....
.....

4. The diagram below shows a coastal landform.



(a) Name the features marked P and K. (2marks)

P.....
 ...K.....

(b) List down three types of ocean tides.

(3marks)

.....

 ...

5. (a) Name the types of earth movements that occur within the earth's crust. (2marks)

.....

(b) Describe the origin of continents according to the theory of continental drift. (3marks)

.....

(c) Draw a rectangle 9 cm by 10 cm to represent the area north of northing 90 and east of easting 30. On it mark and label

- River Yala
- Road c501/2
- Maranda school

(5 marks)

(d) Describe the drainage of the area covered by the map

(5

marks)

.....

.....

.....

.....

.....

.....

.....

.....

.....

.....

(e) Students of Maranda school wanted to do a field study on vegetation on the area covered by the map.

i. Identify two means of transport they are likely to use.

(2 marks)

.....

.....

.....

ii. Name three types of vegetation they are likely to identify

(3 marks)

.....

.....



.....

.....

...

iii. State three preparations they could make. (3 marks)

.....

.....

.....

.....

...

iv. Identify two problems they are likely to encounter. (2 marks)

.....

.....

.....

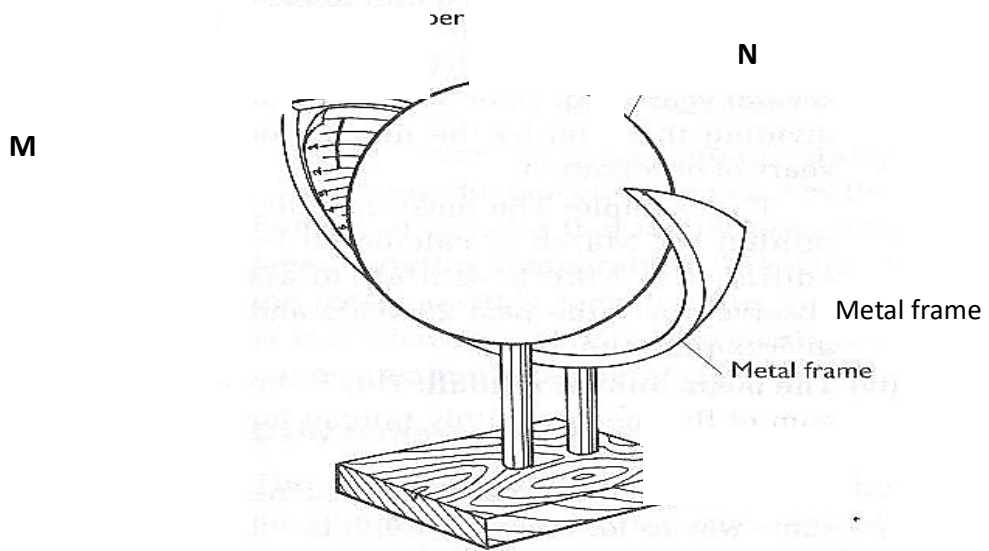
7. (a) Name two instruments kept in a Stevenson screen. (2 marks)

.....

.....

.....

(b) The diagram below shows a weather measuring instrument. Use it to answer the questions below.



(i) Name the parts marked M and N. (2 marks)

M.....
 ...N.....

(ii) Describe how the instrument works. (4 marks)

.....

 ...

(c) The table below shows climatic figure for station Q. Use it to answer the questions that follow.

Months	J	F	M	A	M	J	J	A	S	O	N	D
Temp in °C	30	31	31	29	27	27	28	29	28	28	27	30
Rainfall in mm	257	246	231	234	207	201	218	227	234	240	235	230

(i) Calculate the annual range of temperature for station Q. (2 marks)

(ii) Give four characteristics of climate for station Q. (4 marks)

.....
.....
.....
.....
.....
.....
.....

(d) With the aid of a well-labelled diagram, describe the formation of cyclonic rainfall.(6 marks)

(e) You intend to carry out a field study of a weather station in your school.

(i) Give two methods of recording data that you are likely to use. (2 marks)

.....
.....
.....

(ii) State three reasons why the recording of data at a school weather station may be inaccurate. (3 marks)

.....
.....
.....

.....

...

8. (a) Name three types of faults: (3 marks)

.....

.....

.....

.....

...

(b) (i) With the aid of well labeled diagrams explain how compressional forces can lead to the formation of a rift valley. (7 marks)

(ii) Give two examples of Horst Mountains in east Africa: (2 marks)

.....

.....
.....

(c) Describe two ways in which faulting may influence drainage systems. (4 marks)

.....
.....
.....

.....
.....
.....

(d) A part from the Rift Valley name two other relief features that were formed as result of faulting. (3 marks)

.....
.....
.....

.....
.....
.....

(e) Explain three ways in which features resulting from faulting are of economic importance: (6

marks)

.....
.....
.....
.....
.....

...

.....
.....
.....

.....

...

9. (a)(i) What is a lake? (2marks)

.....
.....
.....

(ii) Name three ways through which lakes are formed.
(3marks)

.....
.....
.....

...

.....
.....

(iii) List three sources of Lake Water.
(3marks)

.....
.....
.....

...

(b) Describe how L. Victoria was formed. (4marks)

.....



.....
.....
.....
.....
.....
.....
.....

(c) Explain two reasons why some Lakes in the Rift Valley have fresh water.
(4marks)

.....
.....
.....
.....
.....
.....
.....

(d) State three economic significance of Lakes.
(3marks)

.....
.....
.....
.....
.....
.....
.....

(e) Students from your school intends to carry out a field study on Lakes.

(i) State two objective for their study.

(2marks)

.....
.....
.....
.....

...

(ii) Identify two methods they will use to record the data collected. (2marks)

.....
.....
.....

(iii) Which human activity might they have found to be affecting the Lakes? (2marks)

.....
.....
.....
.....

...

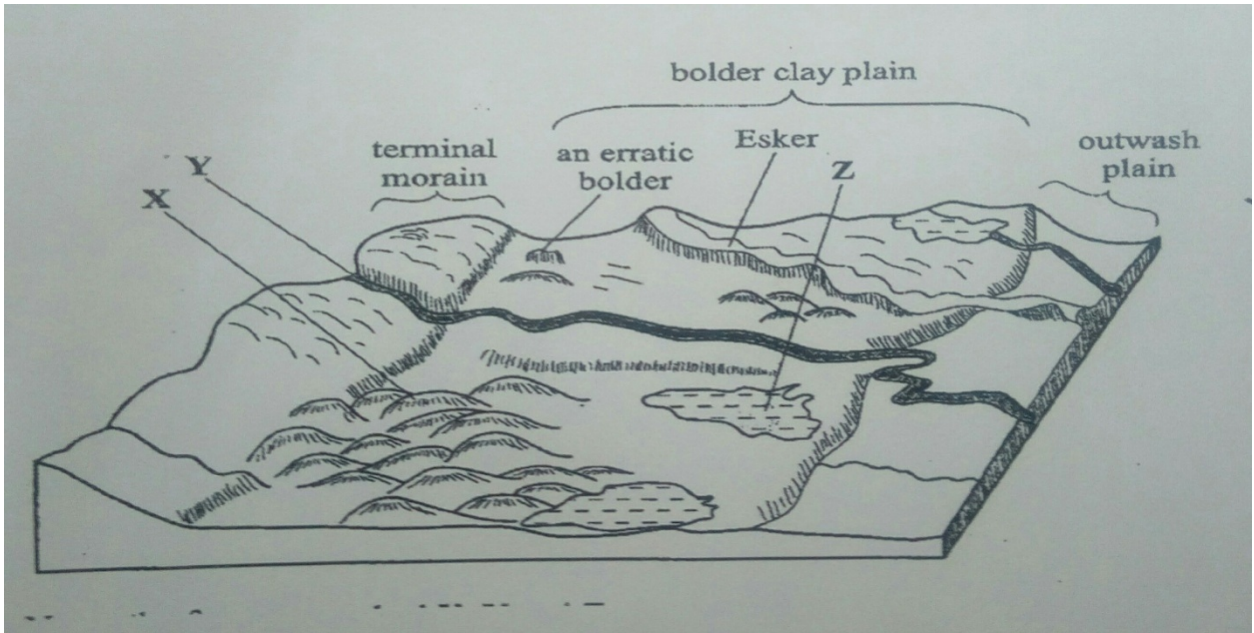
.....
.....

10. (a) Describe plucking as a process in glacial erosion. (4 marks)

.....
.....
.....
.....

...

(c) The diagram below shows features resulting from glacial deposition in a lowland area.



(i) Name the features marked X, Y, and Z. (3 marks)

X.....
 ...Y.....
 ...
 Z.....

(ii) Describe how terminal moraine is formed. (4

Marks)

.....

.....

...

(d) Explain four positive effects of glaciation in low land area.

(8

marks)

.....

.....

.....

.....

...

.....

...

.....

...

.....

...