



MARANDA HIGH SCHOOL

Kenya Certificate of Secondary Education

PRE-MOCK EXAMINATIONS 2022

FORM FOUR

443/1

AGRICULTURE

Paper 1

JUNE 2022 – TIME: 2Hours

Name: _____

Adm No: _____

Class: _____

Date: 22/ 06 /2022.

INSTRUCTION TO CANDIDATES

- Write your **name, admission number and class** in the spaces provided above.
- This paper consists of **THREE** sections; **A, B and C**.
- Answer **All** the questions in section **A and B** in the spaces provided and any **TWO** questions from section **C** in the answer sheet provided

FOR EXAMINERS USE ONLY

SECTION	QUESTION	MAXIMUM SCORE	CANDIDATE'S SCORE
A	1 - 17	30	
B	18 - 22	20	
C		20	
		20	
TOTAL SCORE		90	

SECTION A (30 MARKS)

Answer all the question in this section in the spaces provided.

1. Name the routine field practice done by:

(a) Removal of extra suckers in banana stool. (½mk)

(b) Removal of old stems down to level of top foliage in pyrethrum. (½mk)

(c) Removal of suckers from coffee bushes. (½mk)

2. State **three** characteristics of phosphate fertilizers. (1½mks)

3. State **two** physical properties of soil that influence crop production. (1mk)

4. Outline **four** ways by which crop pests are classified. (2mks)

5. State **three** uses of labour records in Agriculture. (1½mks)

6. Give **four** advantages of overhead irrigation in crop production. (2mks)

7. List **three** basic concepts in agricultural economics. (1½mks)

8. Give **four** varieties of tomatoes grown for processing. (2mks)

9. State **four** pasture management practices done to enhance yields per unit area. (2mks)

10. Name **two** macro-nutrients which classified as:

(a) Fertilizer elements. (1mk)

(b) Liming elements. (1mk)

11. Give **three** ways by which pruning helps to control disease in crops. (1½mks)

12. State **four** ways in which weeds are excellently adapted to the environment. (2mks)

13. State **four** factors that determine the time at which a crop is planted. (2mks)

14. Give **four** factors that affected the effectiveness of a pesticide. (2mks)

State **four** reasons for staking tomatoes in crop production. (2mks)

16 State **three** cultural methods of soil and water conservation. (1½mks)

17. State **four** benefits of having a land title deed to a farmer. (2mks)

SECTION B. (20 MARKS)

Answer ALL questions in this section in the spaces provided

18. Study the diagram below and answer the questions that follow. The illustrations represent a method of crop propagation.

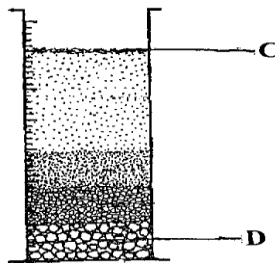


(a) Name the crops propagated by illustrations: (2mks)

A _____ B _____

(b) Give **three** factors that promote the rooting of illustration A. (3mks)

19 The diagram below illustrates an experiment using garden soil. Study it carefully and answer the questions that follow.



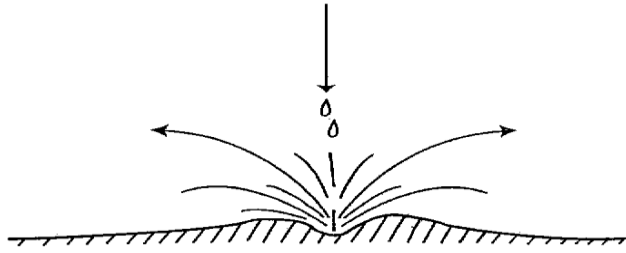
(a) What was the aim of the experiment? (1mk)

(b) Name the parts labeled C and D. (2mks)

C _____ D _____

(c) Name the property of soil being investigated. (1mk)

20. The illustration below shows a type of soil erosion. Study it carefully and answer the questions that follow.

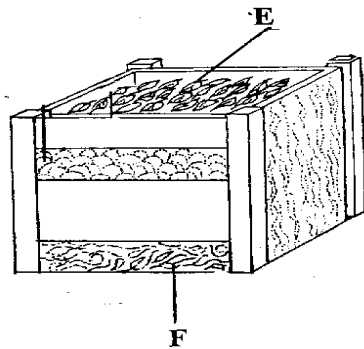


(a) Identify the type of erosion illustrated above. (1mk)

(b) Give **two** soil factors that influence the rate of soil erosion. (2mks)

(c) Name **one** agent of soil erosion. (1mk)

21. The diagram below represents a method of manure preparation. Study it carefully and answer the questions that follow.



(a) Identify the type of manure being prepared. (1mk)

(b) Name the parts labeled E and F. (2mks)

E _____ F _____

(c) Give **four** disadvantages of manures. (4mks)

SECTION C (40MARKS)

Answer any two questions from this section in the spaces provided after question 24.

22. (a) Describe land preparation for planting of grass seeds. (4mks)

(b) Explain the precautions that should be observed during the harvesting of pyrethrum. (4mks)

(c) Explain **six** benefits of land consolidation in Agricultural production. (12mks)

23.(a) Describe the field management practices that should be carried out on dry bean production. (10mks)

(b) Explain **five** factors that should be considered when deciding on the depth of planting a seed. (5mks)

(c) Describe the characteristics of a crop suitable for green manure. (5mks)

24. (a) Describe the procedure followed when collecting a soil sample from the field for testing in the laboratory (5mks)

(b) Describe the benefits of using certified seeds in crop production. (5mks)

(c) Describe the safety precautions a farmer should take when using herbicides. (10mks)
